


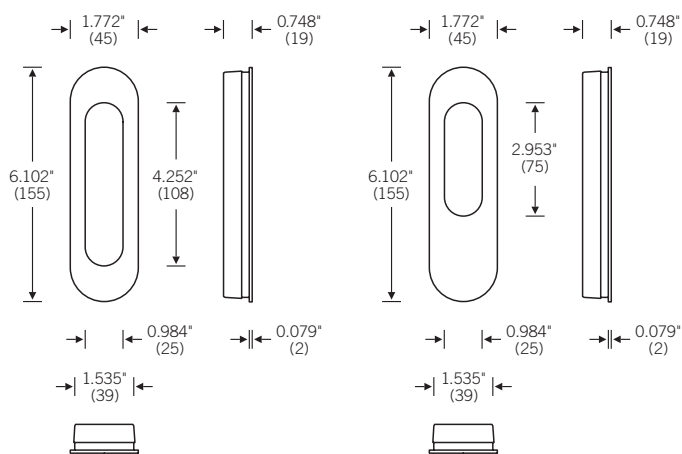
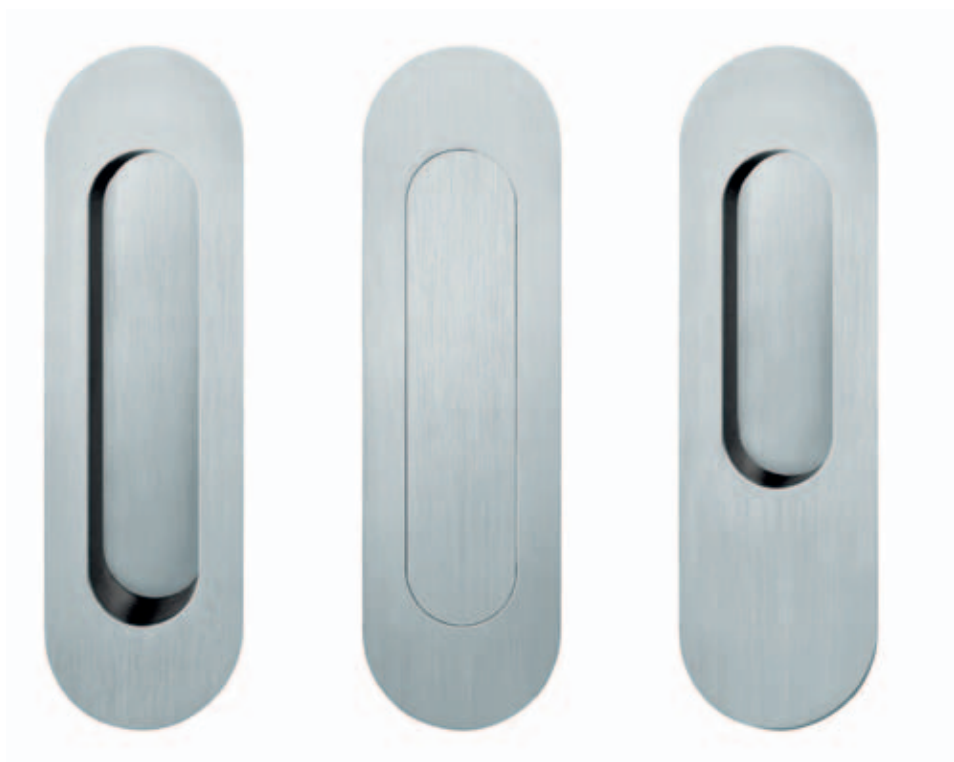
# Flush Pulls for Passage Doors

42 4250 

Flush Pulls

- 42 4250 00000 (open)
- 42 4250 00001 (spring loaded cover)
- 42 4250 00002 (half open)

Recess 150 × R 20 × 17.5 mm  
1 3/4" or greater door thickness required.



All details subject to modification